



AEROCELL SRW

The **Aerocell SRW** bridges the gap between cargo vans and cube vans. Designed exclusively for the tough, dependable, comfortable and stylish GM single rear wheel cutaway chassis, this new van body offers all of the same benefits as the original Aerocell: one piece molded fiberglass construction, seamless and glossy gel coat exterior, and aerodynamic styling. The completed vehicle has the extra height and capacity cargo vans lack, as well as the **aesthetics, driveability** and **convenience** missing from most cube vans. The standard package size of the competitively priced SRW makes ordering simple. The Aerocell SRW is an **ideal solution**.



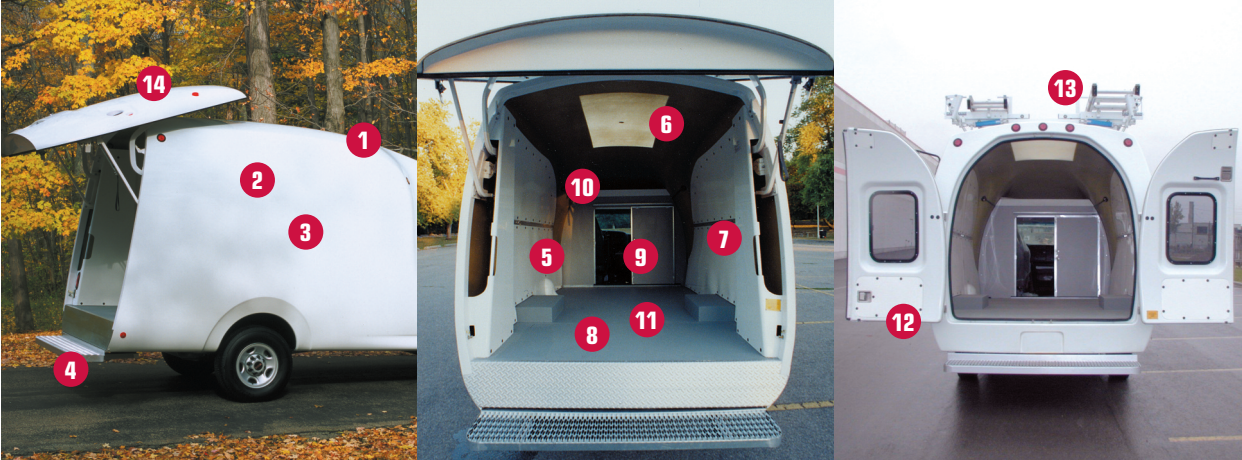
Cable
Carpenters
Carpet Cleaners
Caterers
Contractors
Delivery Service
Electricians
Food Service
Furniture
HVAC

Janitorial
Locksmiths
Mobile Repairs
Municipalities
Painters
Plumbers
Retailers
Rentals
TV & Appliances
Utilities

AEROCELL[®]

THE ONE PIECE FIBERGLASS VAN BODY

AEROCELL SRW

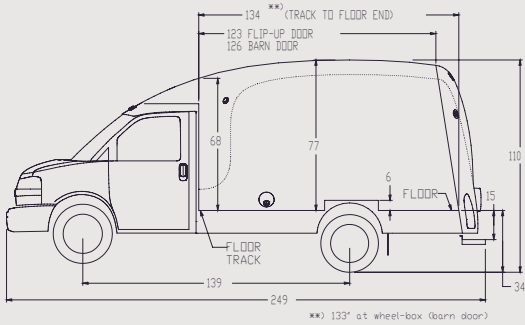


- 1** Integral roof fairing and flowing body contours offer fuel-saving aerodynamics and visual appeal
- 2** The one piece molded fiberglass outer skin has no seams, rivets, or caulk, so it won't leak
- 3** The smooth glossy surface enhances your company's image-boosting graphic message
- 4** Extra deep non-skid step bumper
- 5** High density polyethylene lining is strong and brightens interior workspace
- 6** Built-in translucent skylight for a brightly lit work interior
- 7** Full length aluminum aircraft quality logistic track with adjustable tie rings and shelving attachment bolts
- 8** Tough tongue and groove plywood floor
- 9** Optional sliding access door to cab
- 10** Built-in shelf for added storage over cab
- 11** 466 cubic feet of cargo space
- 12** Two-panel swing-out doors with automotive seals open to 180 degrees for easy loading. Shown with optional fixed windows
- 13** Optional roof-mounted ladder-rack with hydraulic drop-down system for easy access
- 14** Unique easy-to-operate flip-up rear door with keyed lock and inside release handle has unrestricted load access and full height entry

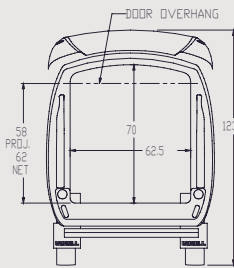
OPTIONAL FEATURE

- 14** Unique easy-to-operate flip-up rear door with keyed lock and inside release handle has unrestricted load access and full height entry

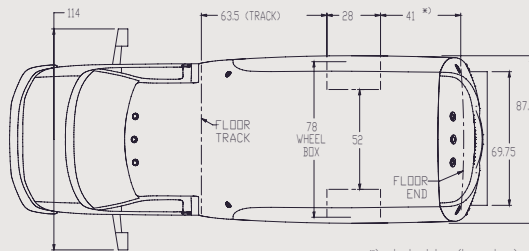
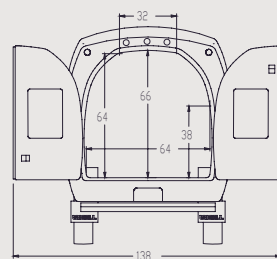
DIMENSIONS



** 133" at wheel-box (barn door)



GM SRW - LITERATURE DRAWING
K.C. MAY 7/2013, SCALE 1:40



* at wheel-box (barn door)

6/2016/500

The Aerocell SRW is backed by a five-year limited warranty and our 30+ years of experience in building van bodies.

UNICELL BODY COMPANY, INC.
571 Howard Street Buffalo, NY 14206
Toll Free 800/628.8914 • Local 716/853.8628
Fax 716/843.8638 • www.unicell.com

Due to continuous product improvements, specifications may change without notice. Chassis available through Unicell pool stock. Contact your local Chevrolet or GMC dealer for pricing.